



Top Guide T-Rail System

- Suitable for T-Rail Systems



Art.-No. 815262

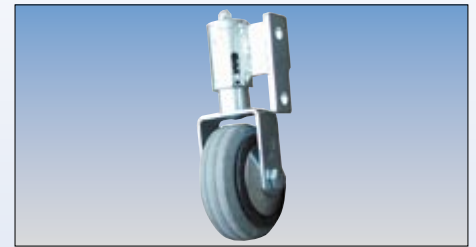
Top Guide Circular Tube System

- Suitable for circular tube rail system



Art.-No. 815095

Flexible roller for shelf ladders

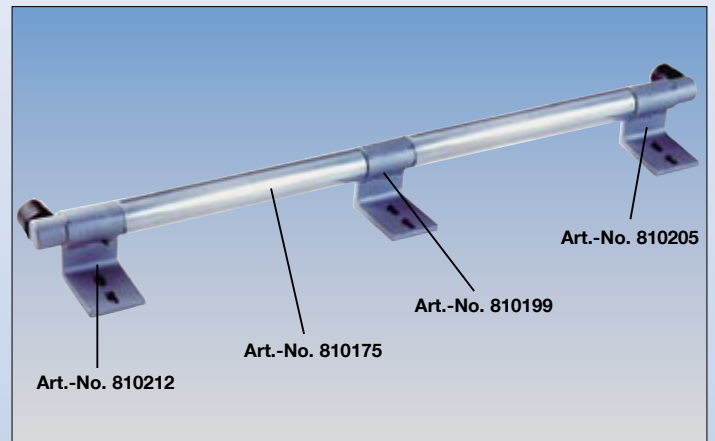


Art.-No. (right/left) 815156 815163

Aluminum Circular Tube Rail System

- Approx. every meter a intermediate holder should be installed

Rail	Art.-No.
Light-metal tube, ø 30 mm, 3000 mm length	810175
Light-metal tube, ø 30 mm, 3000 mm length, anodized	810182
Intermediate holder	810199
Holder with end stop, right	810205
Holder with end stop, left	810212

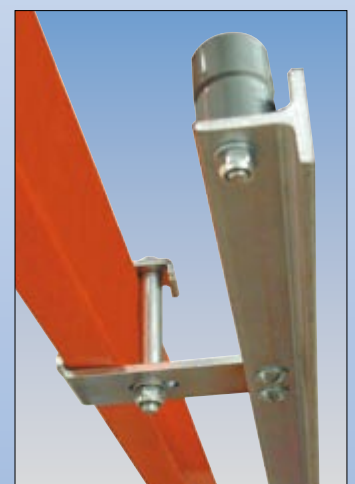
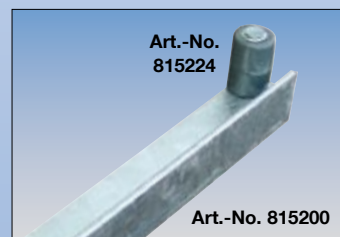
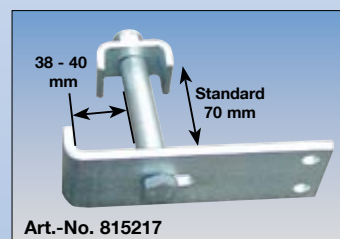


T-Rail System

- No drilling on shelf required
- Intermediate holder will be manufactured to the exact dimensions of your shelf
- Approx. every meter a intermediate holder should be installed

Standard: Shelf stabilizer bar width of 30 mm to 48 mm

T-Rail	Art.-No.
T-rail, galvanized steel	815200
Intermediate holder	815217
End stop left/right	815224
Clip for profile joint (interconnects the T-rails)	815279



Hand Rail

- Retrofit kit for rung ladders and step leaning ladders

Handrail 8-10 steps Art.-No.	817327
Handrail 12-18 steps Art.-No.	817334



Holding Bar

- Strut can be inserted

Holding bar with attachment Art.-No.	817341
--------------------------------------	--------

