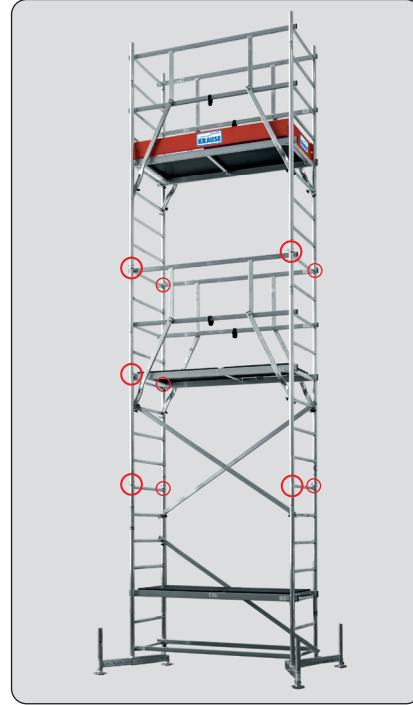


1 x



1 x



