

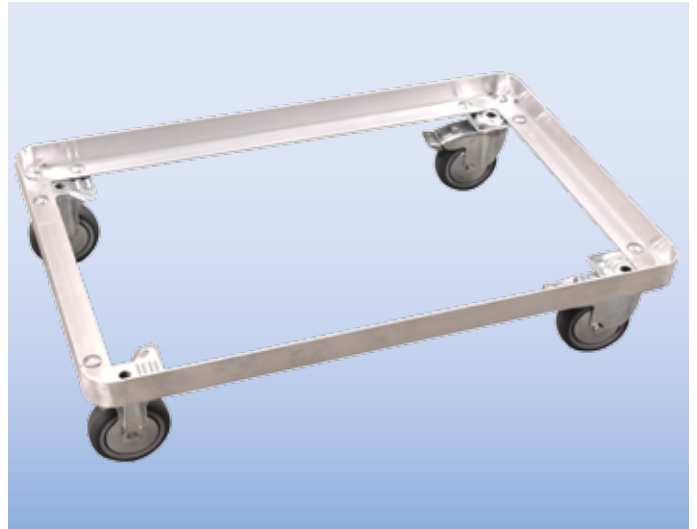
## **Accessories:** **Mobile base**

By using a mobile base the transport boxes can be easily and conveniently transported.

### **Product information:**

- + Aluminium
- + 2 fixed castors for heavy load Ø 75 mm, 2 guiding castors with arrestors Ø 75 mm
- + Loading capacity per castor: 75 kg

For transport box Article. No.		256010/ 256041	256058	256072	256089/ 256119	256133
Dimensions	in mm	580 x 380	780 x 380	880 x 480	780 x 580	1180 x 780
Article. No.		256706	256713	256720	256737	256744



## **Lock with keys**

Available on request

