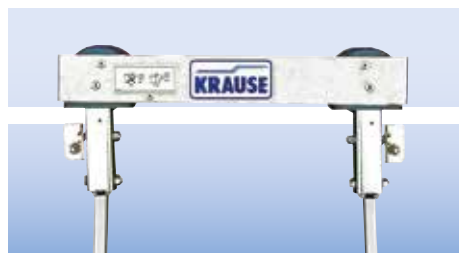


Top guide for T-rail system

+ Suitable for the T-rail system



Article No.

815262

Top guide for round tube rail system

+ Suitable for the round tube rail system



Article No.

815095

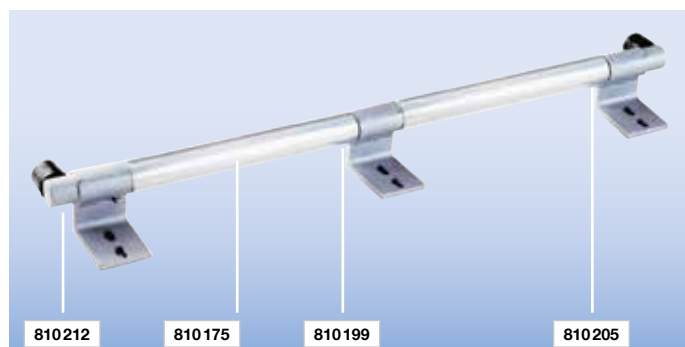
Spring-mounted castor for shelf ladders



Article No. (right/left)

815156

815163



810212

810175

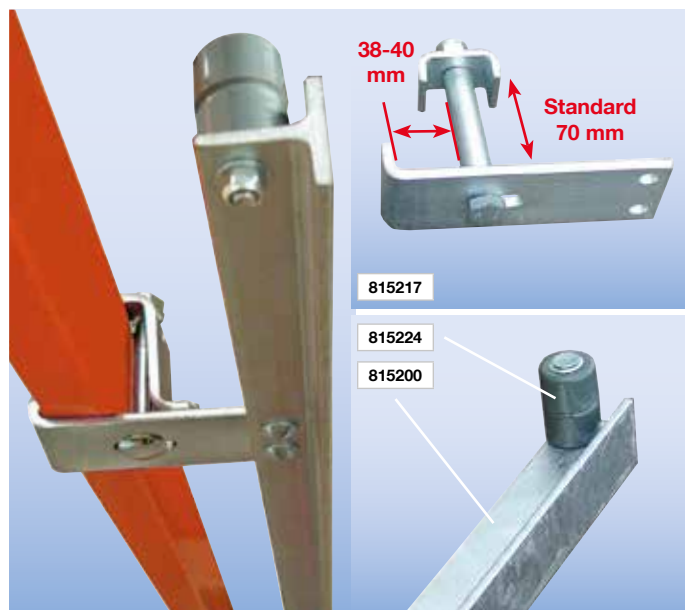
810199

810205

Aluminium round tube rail system

+ Intermediate brackets should be fitted with spacings of approx. 1 m

| Rail system | Article No. |
|--|-------------|
| Light metal tube Ø 30 mm, 3000 mm long | 810175 |
| Light metal tube Ø 30 mm, 3000 mm long, anodised | 810182 |
| Intermediate bracket | 810199 |
| Holder with right end stop | 810205 |
| Holder with left end stop | 810212 |



38-40 mm

Standard 70 mm

815217

815224

815200

T-rail system

- + No drilling on shelves
- + Intermediate brackets will be customised to fit the shelf
- + Intermediate brackets should be fitted with spacings of approx. 1 m

The shelf stabilisers have a width from 30 mm up to 48 mm

| T-rail system | Article No. |
|--|-------------|
| T-rail, steel galvanised, 3000 mm long | 815200 |
| Intermediate bracket | 815217 |
| Left/right end stop | 815224 |
| Clip for profile connection (to connect T-Rails) | 815279 |

Aluminium hand rail

+ For leaning ladders with rungs and steps to be fitted at the ladder as accessory

| Hand rail for | Article No. |
|---------------|-------------|
| 8-10 steps | 817327 |
| 11-18 steps | 817334 |

Aluminium holding bar

+ Retractable
+ With fastening clip

Article No. 817341