

Industrial stair with platform, mobile

Customer data

Company name: _____ Enquiry Preferred delivery date: _____
 Contact person: _____ Offer Consignment/CS-No.: _____
 Customer number: _____ Order Quantity: _____

Date: _____

Technical data

Application	Indoor (ID), Outdoor (OD), Heavy Duty (HD)			
	Anti-slip Standard (R9) or Heavy Duty (R12/R13)			
Step surfaces & depth	Aluminium corrugated (175 mm for 60° / 225 mm for 45°)			
	Steel grating	} Standard		
	Steel perforated		- 185 mm for 60°	
	Aluminium grating		- 240 mm for 45°	
	Aluminium perforated			
Dimensions	Number of steps (incl. platform)			pc.
	Inclination angle (Standard: 60° or 45°)	α		°
	Vertical height (Standing height of platform)	A		mm
	Platform length (Standard 700 mm)	L		mm
	Platform/step width (Standard 600 / 800 / 1,000)	B		mm
	Total width (incl. railing) over all	C		mm
	Projection	D		mm
	Depth of steps	E		mm
	Max. loading capacity of steps (Standard 150 kg)			kg
	Max. loading capacity of platform (Standard 300 kg/m ²)			kg/m ²
Total loading capacity of product			kg	
Handrail/Railing	Stair handrail left			plug-in
	Stair handrail right			plug-in
	Platform railing left			plug-in
	Platform railing right			plug-in
	Platform railing front side			plug-in
	Hook for parking position of pluggable platform railing (pluggable railings can be temporarily attached to other fixed railing elements via hooks)			
	Exit side left / right / front			
Chassis	Standard chassis width			mm
	Shortened stabilisers with castors incl. ballast weights (min. = measurement B + 100 mm)			
	Stabiliser with non-braked castors (at supporting part)			
	Stabiliser & 4 castors Ø 160 mm (total stabiliser height 280 mm)			
	ComfortStop (central braking via foot pedal) Central braking via a hand lever			
Accessories	Step edge marking			
	Safety barrier			
	Safety chain			
	Swing door			
	Removable tool tray			
	Anti-slip handrail			
	Protecting sheet underneath steps			
Technical documentation	Not required			
	Declaration of conformity/manufacturer			
	Certificate of an independent testing institute*			
	Static calculation of construction*			
	Other requirements:			

Information

Sturdy light metal construction as individual solution based on DIN EN ISO 14122, made of stainless and weatherproof aluminium extruded profile with high strength and multifunctional screw channels.

The exchange of components as well as flexible adjustments are possible at any time due to the modular construction system.

Special angles, widths and heights as well as individual colours of the components are available on request.

The delivery will be effected by the manufacturer in pre-assembled components (stair/railing).

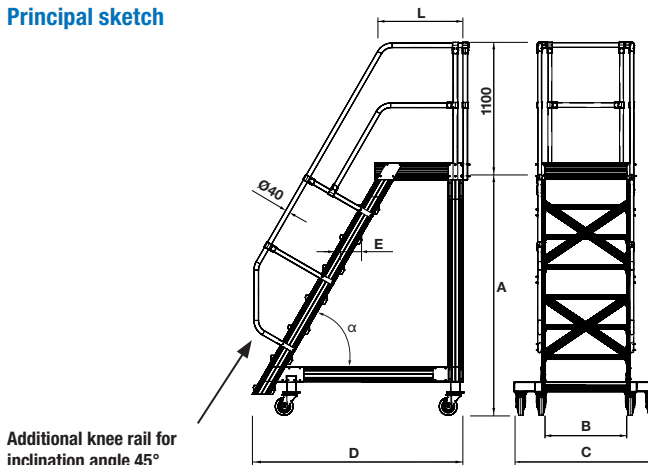
Please note:
Base for the selection of the screw projection is DIN 78.

Overhanging screws will be covered with plastic covering plugs.

* = Chargeable additional services

Other

Principal sketch



Additional knee rail for inclination angle 45°